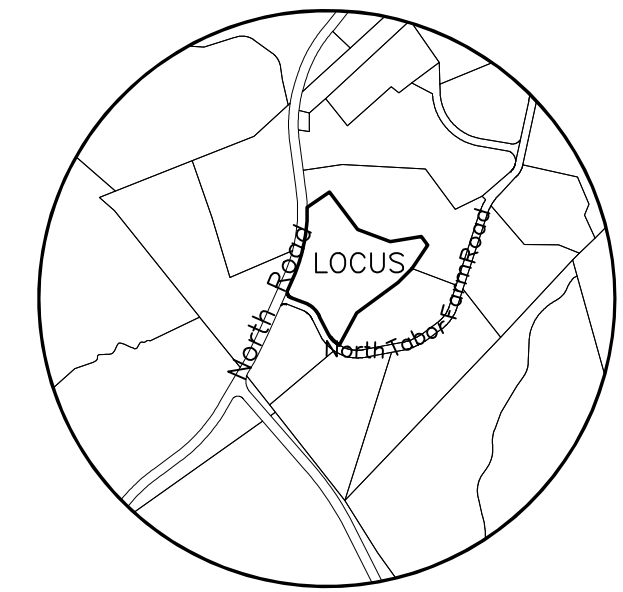
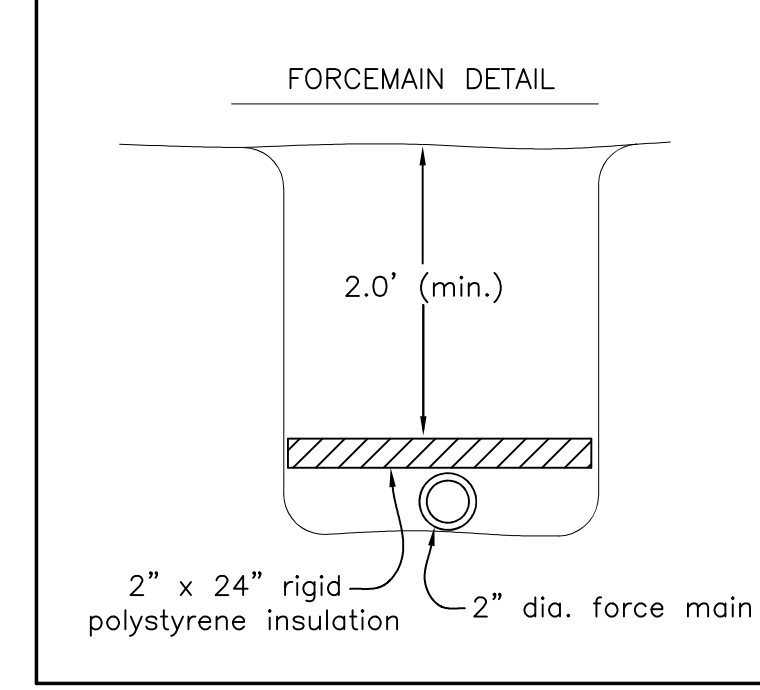
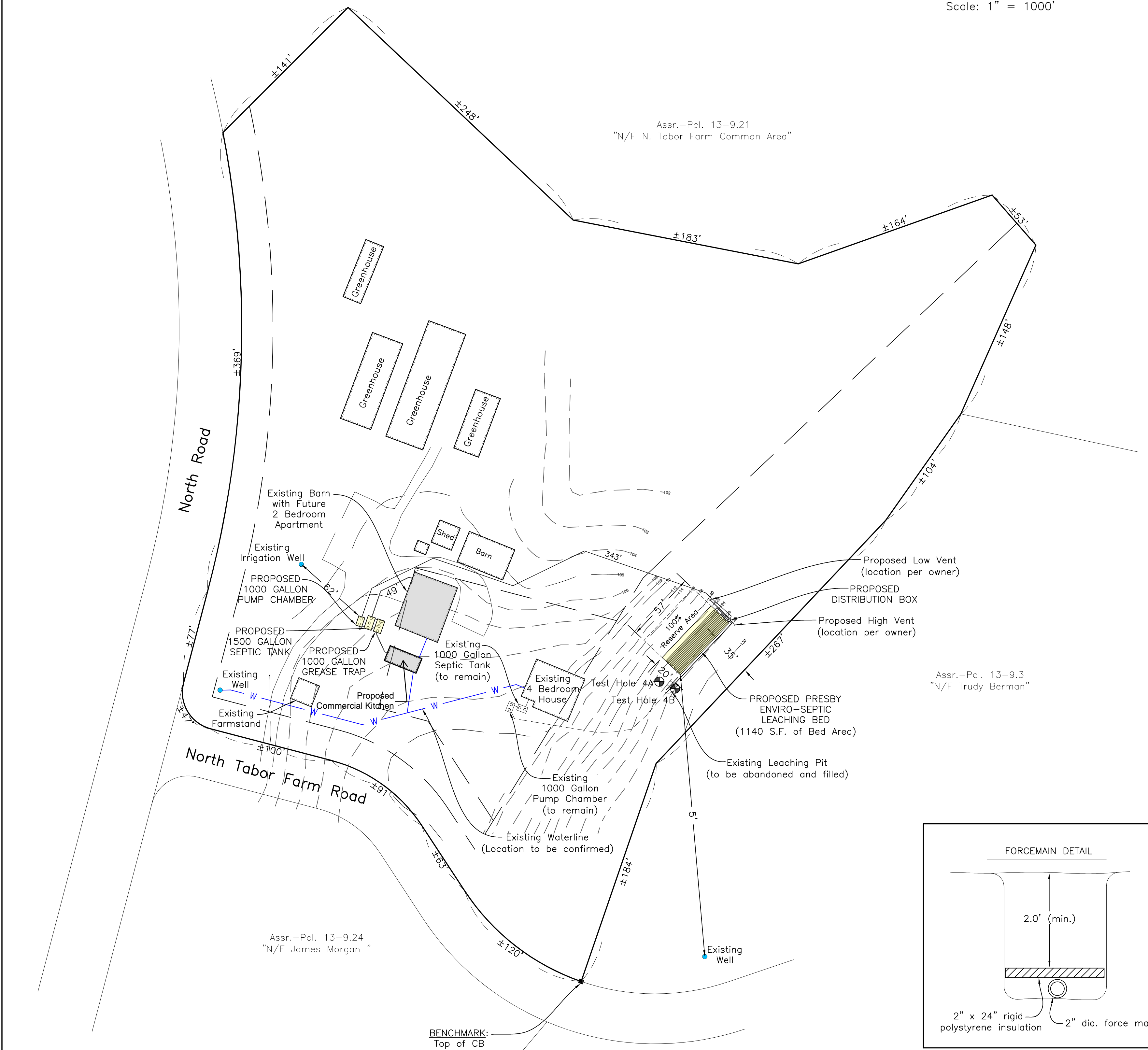
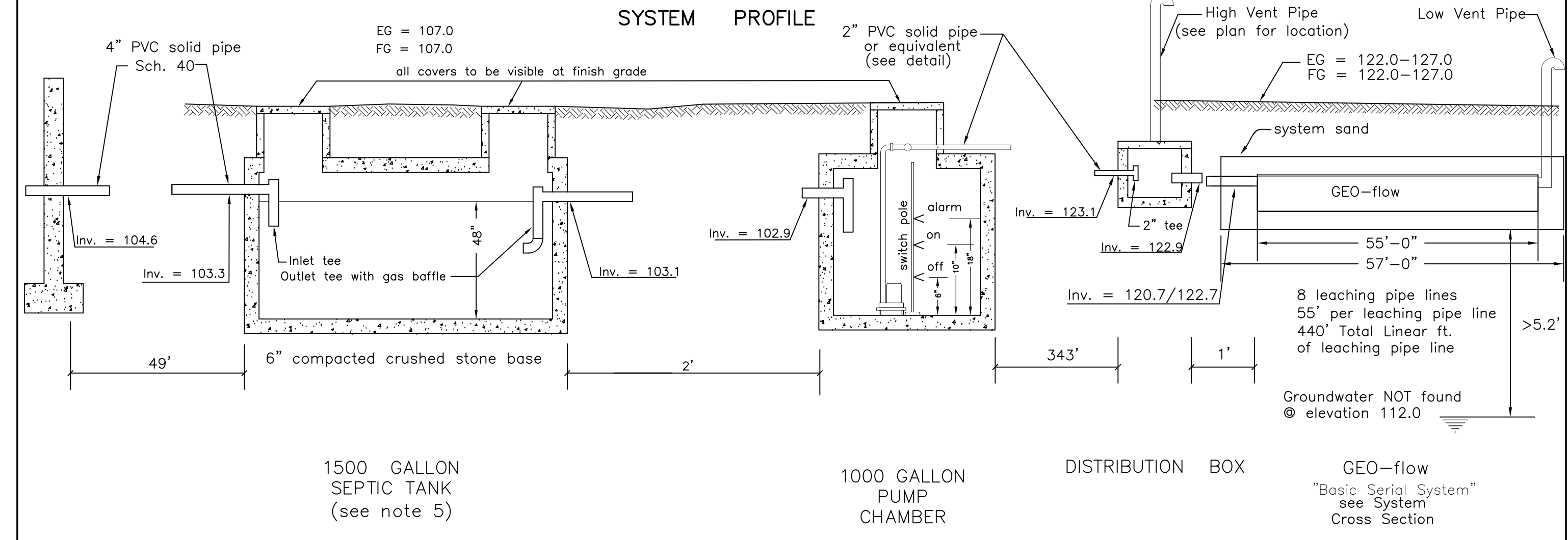
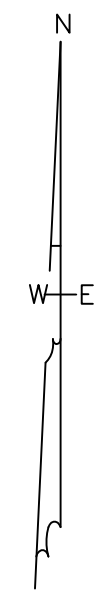


**Plan**

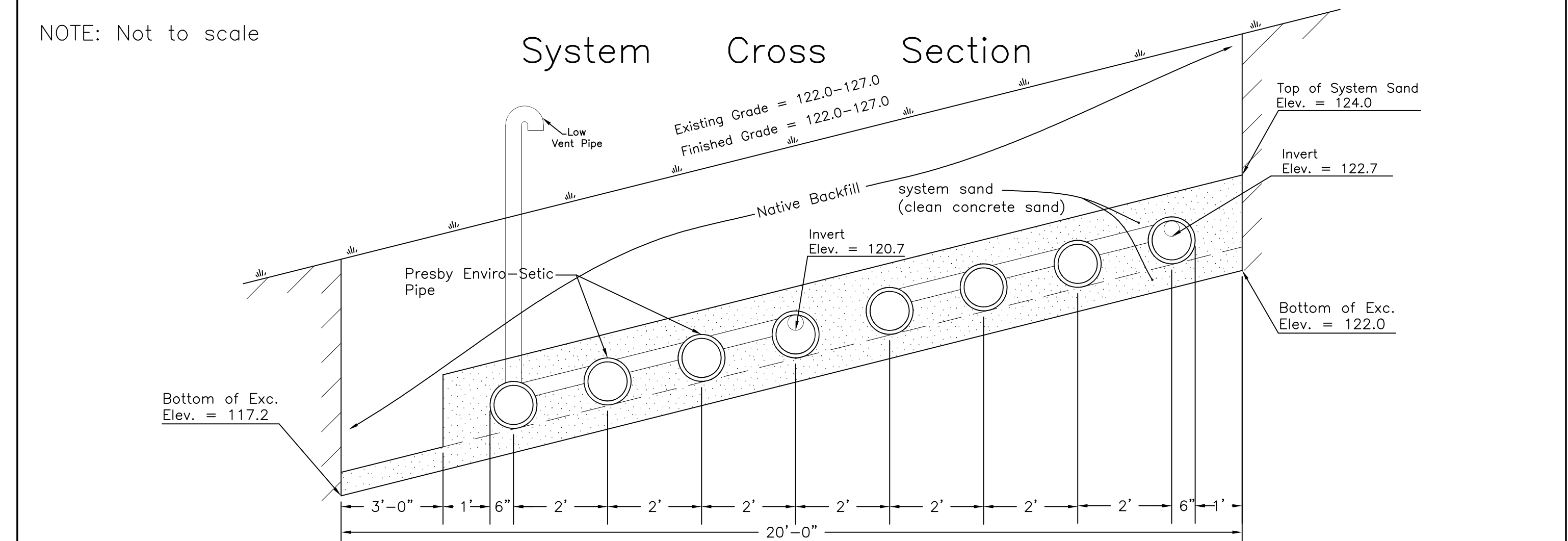
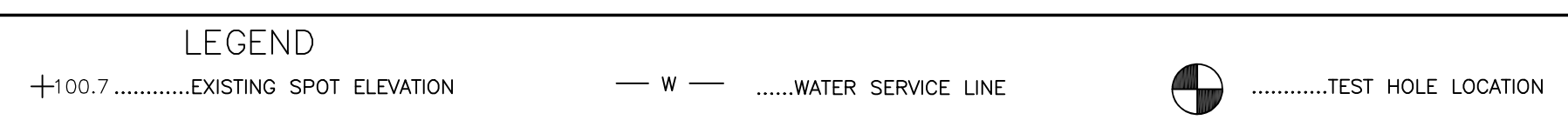
Scale: 1 in. = 50 ft.  
Datum: ±U.S.G.S.



LOCUS MAP  
Scale: 1" = 1000'



- PUMP NOTES**
1. An alarm system shall be installed on a separate electrical circuit.
  2. The pump shall be capable of pumping 10 gallons per minute at a head of 50 feet.
  3. The pump shall be installed directly below the access opening and connected with unions so as to be easily removed without emptying the tank.
  4. The force main shall be insulated as shown or buried a minimum of 4 ft. below grade.



- Notes**
1. This plan is to be used only for the approval and installation of a sewage disposal system and is not to be used for any other purpose.
  2. All construction and components shall conform to Massachusetts State Environmental Code TITLE V and Local Board of Health Requirements.
  3. This design does not warrant the location of underground pipes, wires, utilities or other underground structures. The installer shall be responsible for locating and relocating these objects as necessary.
  4. No garbage grinder is allowed with this system.
  5. Any portion of this system subject to vehicular traffic shall be capable of H-20 loading.
  6. An observation pipe shall be placed as shown and capped at grade so as to allow monitoring of liquid level in the leaching system. Place re-rod flush at each to aid in relocating with metal detector.
  7. All access covers are to weigh at least 150 lbs. or screwed down.
  8. Leaching Pipes shall consist of Infiltrator Enviro-Septic Pipes or an approved equivalent.
  9. See Presby Enviroseptic manual for installation guidelines.
  10. Any clean sand fill required by this design is to have less than 4% passing the No. 100 sieve.
  11. No wells could be found within 150' of the proposed leaching facility.
  12. The engineer is to inspect and approve the leaching excavation prior to the placement of any gravel, sand or components.
  13. The engineer is to inspect the existing septic tank and pump chamber at the time of installation.
  13. The engineer (AND the local approving authority) is to inspect and approve the installation and placement of all septic components before final backfilling.
  14. A letter certifying satisfactory construction of this system is to be provided to the owner and the Board of Health by the Engineer.

**Design Criteria**

Design Hydraulic Loading:  
 6 Bedrooms x 110 GPD/Bedroom = 660 GPD  
 Commercial Kitchen = 200 GPD  
**TOTAL = 860 GPD**

Septic tank capacity:  
 Required: 440 GPD x 200% = 880 Gal. minimum (Existing House)  
 220 GPD x 200% = 440 Gal. minimum (Apartment)  
 200 GPD x 200% = 400 Gal. minimum (Commercial Kitchen)  
 Septic tank provided = 1500 Gal. (Existing Serving House)  
 1500 Gal. (Proposed)

Leaching Capacity Provided:  
 Enviro-Septic Leaching Bed "Basic Serial System"

Enviro-Septic Pipe = 400 linear ft  
 Area of Enviro-Septic Bed = 20' x 57' = 1140 sq.ft.  
 1140 sq.ft. x 1.67 x 0.74 GPD/sq.ft. = 1408 GPD

Leaching Capacity Limited by Total Pipe Length= 440 ft. (880 GPD)

**Proposed Septic System on Land in Chilmark, Mass.**

Designed for: Rebecca Miller and Matthew Dix  
 Street Address: #4 North Tabor Farm Road  
 Assessor No.: 13-9.22  
 Lot Area: ±6.3 Acres  
 Designed By: Cody Coutinho  
 Checked By: R.G.S.  
 Date: September 27, 2022  
 Revised: 10/28/22 - Additional Flow for Commercial Kitchen



Revised: November 10, 2022

Soil evaluator: Douglas O. Dowling, P.E. SOIL DATA

Depth	Horizon	Texture
0"-4"	A	Woods Loam
4"-48"	B	Silty Subsoil
48"-144"	C1	Fine Gray Sand (Packed)
144"-156"	C2	Fine White Sand (Packed)

Deep Observation Hole 4A. Date: April 5, 1990. Surface elevation = 125.0

Deep Observation Hole 4B. Date: Surface elevation = 128.0

Perc. rate < 2 mpi. @ 60"  
 No groundwater found at 156" (Elev. = 112.0)

**VINEYARD LAND SURVEYING & ENGINEERING**  
 12 Cournoyer Road  
 P.O. Box 421  
 West Tisbury, MA 02575  
 P 508-693-3774 F 508-629-0440  
 VLSE.net