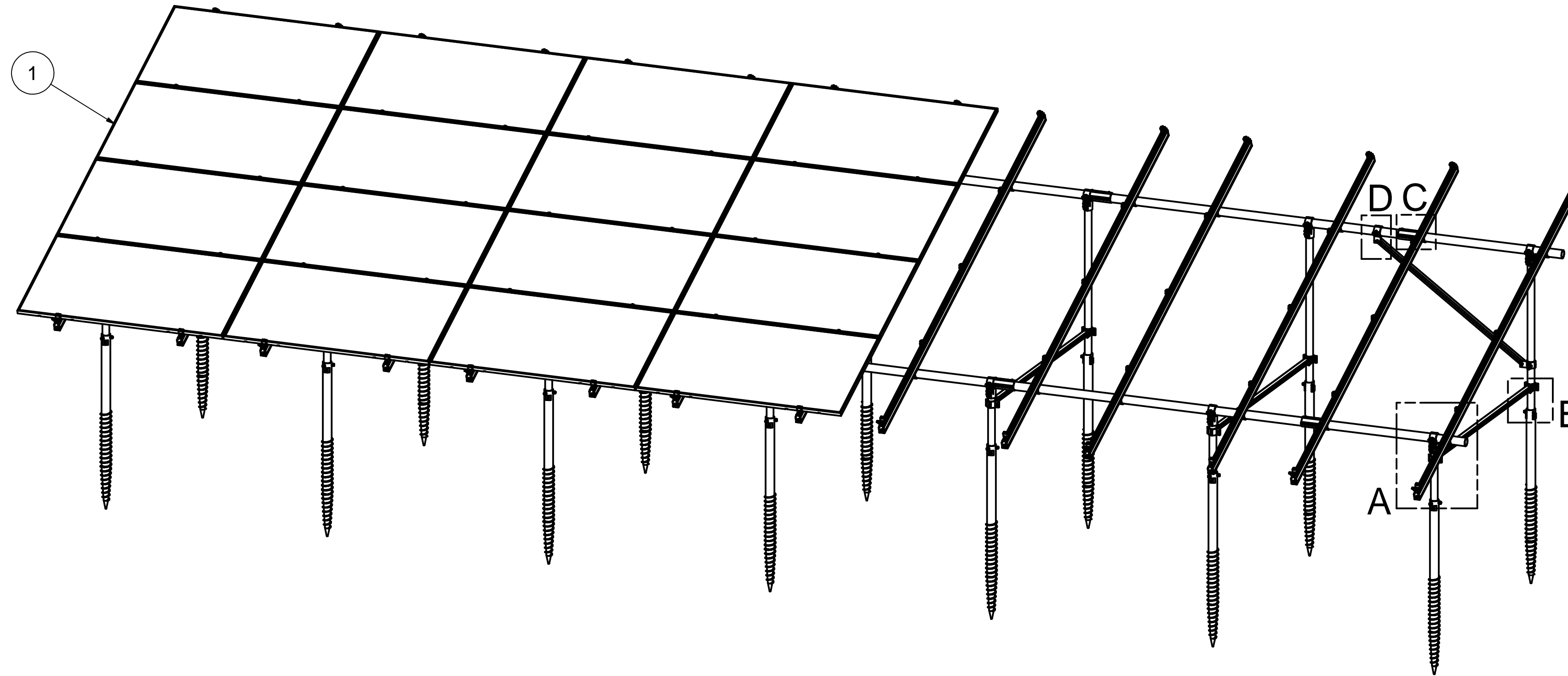
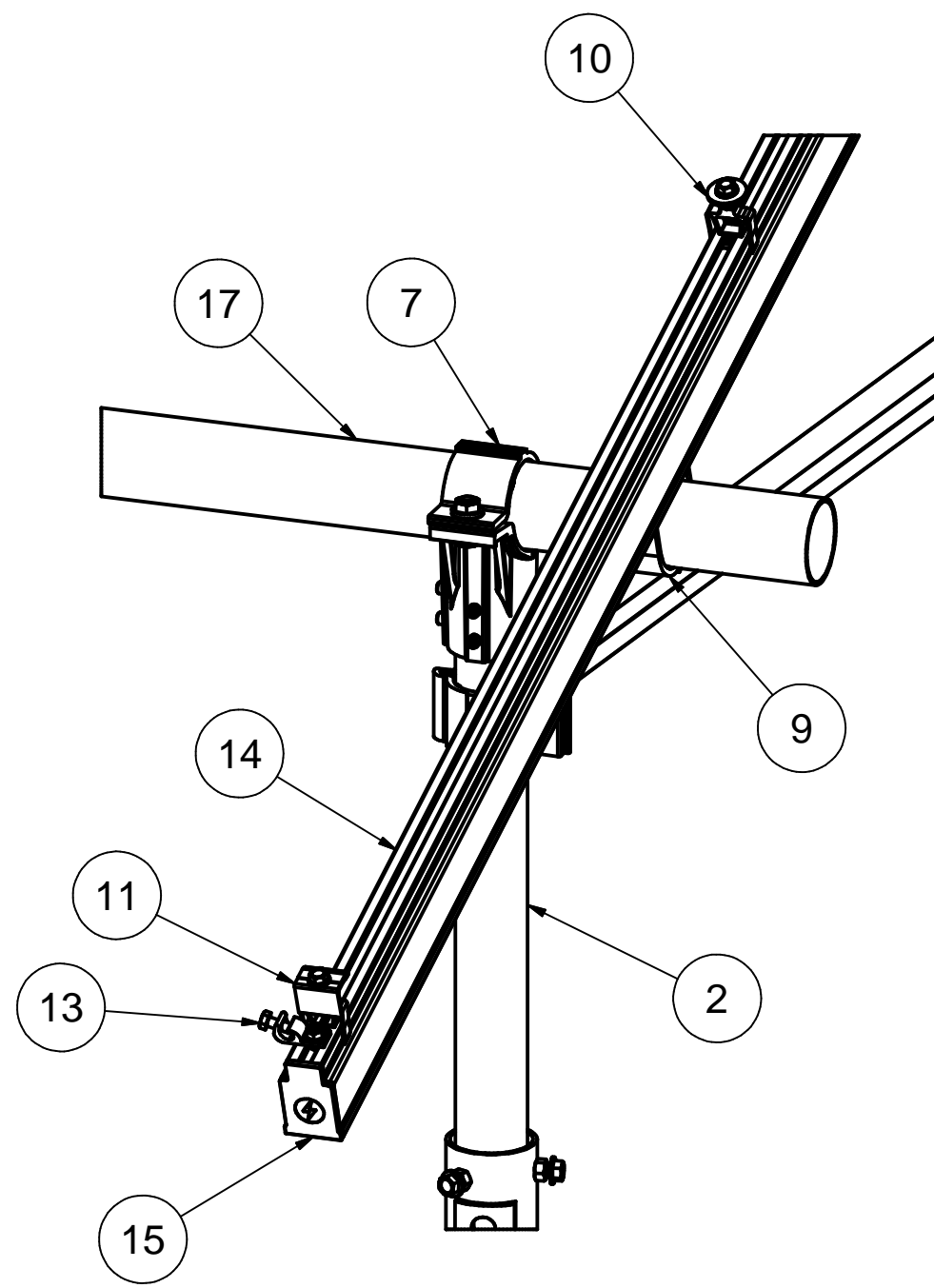


NOTES: UNLESS OTHERWISE SPECIFIED

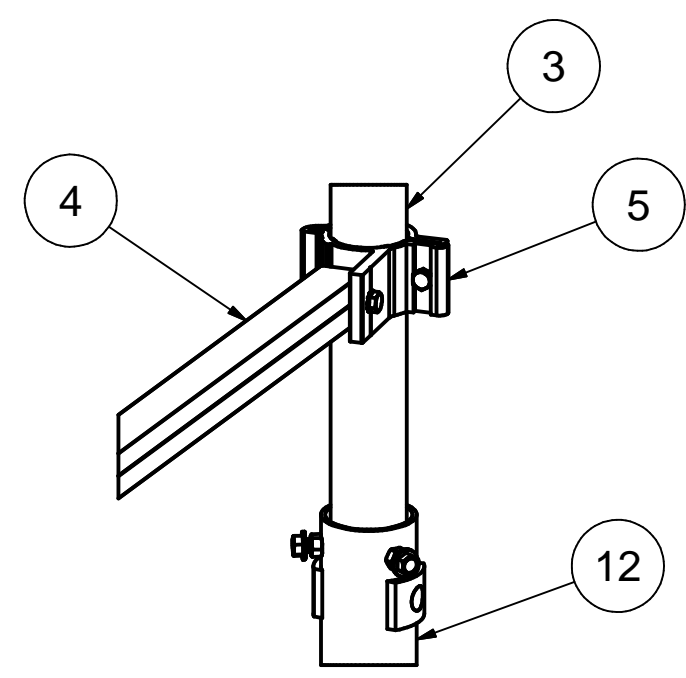
1. THIS DRAWING IS NOT FOR CONSTRUCTION UNTIL ENGINEERING HAS REVIEWED AND STAMPED THIS DOCUMENT.
2. DIMENSIONS SHOWN ARE INCHES.
3. THE SELF-BONDING SYSTEM AND SINGLE GROUND LUG IS FOR USE WITH PV MODULES THAT HAVE A MAXIMUM SERIES FUSE RATING OF 30A.
4. MATERIALS ARE AS SPECIFIED OR EQUIVALENT:
 HARDWARE: 304 STAINLESS STEEL
 FABRICATED EXTRUDED PARTS: 6005-T5 ALUMINUM ALLOY
 FABRICATED DIE CAST PARTS: ANSI/AA A380 ALUMINUM ALLOY
 STEEL PIPE: SCHEDULE 40 GALVANIZED
 ALUMINUM PIPE: SCHEDULE 10 ANODIZED
5. THE MAXIMUM PERMISSIBLE LENGTH OF ANY STRUCTURE SHALL BE 200 FT. FOR SYSTEMS USING A SHARED RAIL CONFIGURATION, A THERMAL BREAK IS REQUIRED IN THE RAIL EVERY 40 FT. PER THE DRAWING DETAILS.
6. 4LX7-20DEG-GSM-SMR300.
7. 1 OF 1 ARRAY TYPES.
8. 1 ARRAY TOTAL.
9. A20445-001 AND C10059-BK1 MAY BE USED INTERCHANGEABLY.



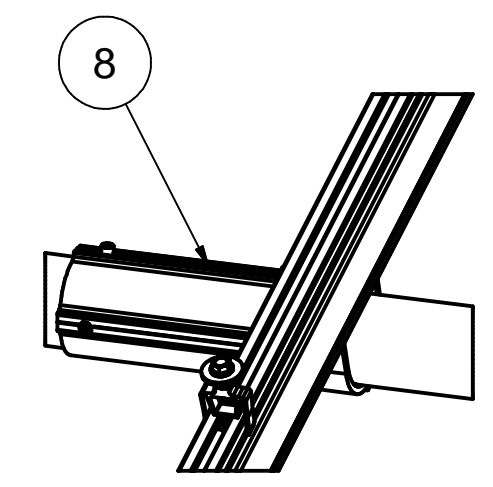
11/14/2023
VSE Project Number: U6058.0002.231



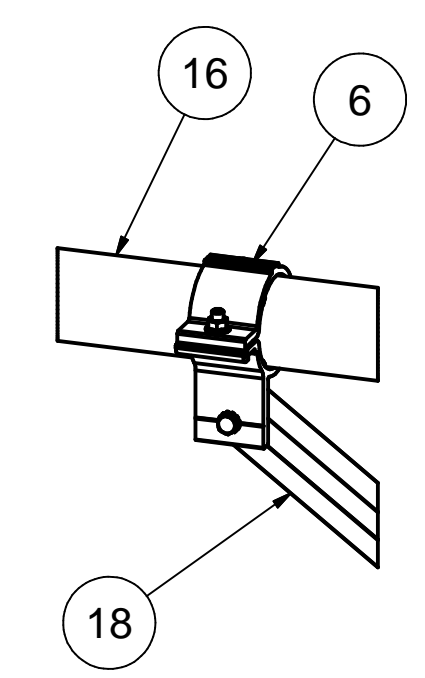
DETAIL A



DETAIL B



DETAIL C



DETAIL D

ITEM	PART NUMBER	DESCRIPTION	QTY
18	A50164-066	1.5"X1.5"X0.083" GAL STEEL TUBE BRACE,L=66	2
17	A21168-055	PIPE, HSS, 2.875" OD X 12 GAUGE,L=55	2
16	A21168-112	PIPE, HSS, 2.875" OD X 12 GAUGE,L=112	8
15	C10059-BK1	SMR300 EPDM RAIL END CAP	28
14	A20444-170	SMR300 RAIL, L=170	14
13	K10469-004	M8 HEX GROUND LUG KIT	1
12	K10423-063	ANCHOR, SCREW AUGER KIT,L=63	14
11	K10418-004	SMR POP-ON END CLAMP KIT,CLEAR	28
10	K10417-004	MID CLAMP,SMR POP-ON,CLEAR	42
9	K10343-005	2.5" AL PIPE U-CLAMP KIT	28
8	K10342-001	2.5" PIPE SPLICE KIT	8
7	K10341-002	2.5" PIPE TEE KIT	14
6	K10222-001	2.5" PIPE CLAMP KIT	2
5	K10219-001	2" AL PIPE CLAMP KIT	16
4	A50164-092	1.5"X1.5"X0.083" GAL STEEL TUBE BRACE,L=92	7
3	A21165-068	PIPE, HSS, 2.375" OD X 12 GAUGE,L=68	7
2	A21165-033	PIPE, HSS, 2.375" OD X 12 GAUGE,L=33	7
1		PANEL:1880X1044X32mm	28

MATERIAL: SEE BOM

Third Angle Projection:

GENERAL SPECIFICATIONS
 All Dimensions in inches (millimeters)
 Tolerances:
 FRACTIONS (0.25mm)
 X.XX (0.10mm)
 X.XXX (0.05mm)
 UNLESS OTHERWISE SPECIFIED

Break all sharp edges
 010:000 unless otherwise specified

DATE: 11/03/2023

DRAWN BY: LU
 CHECKED BY:

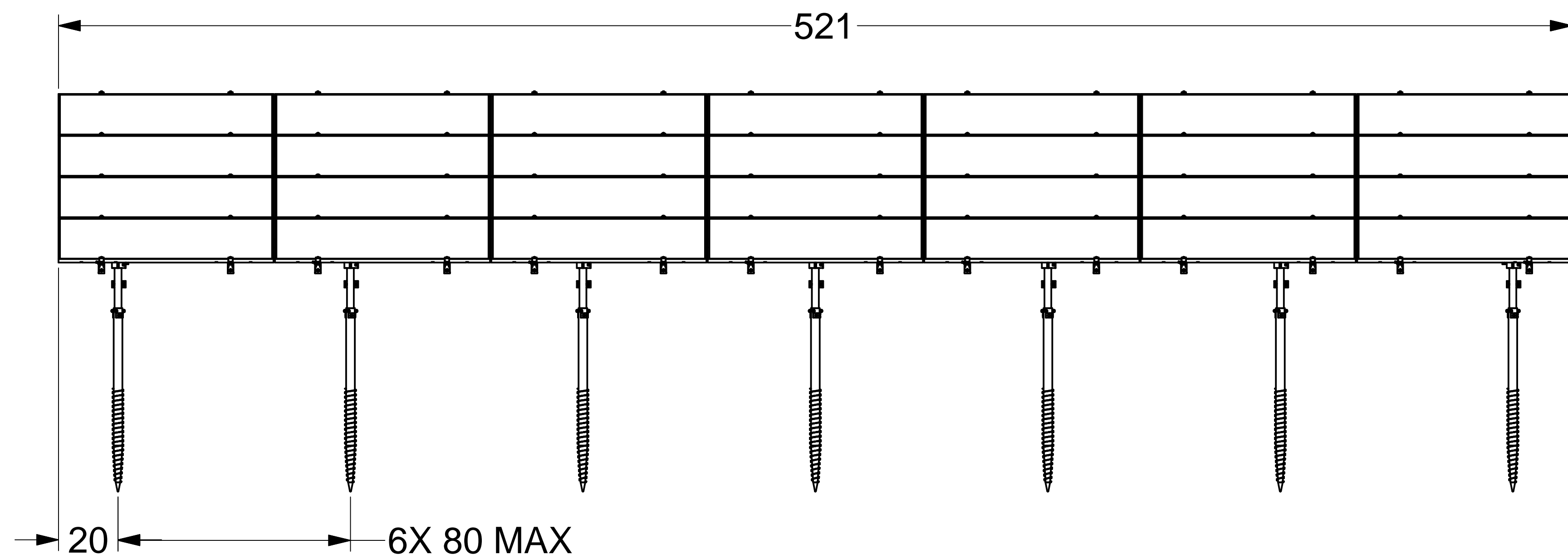
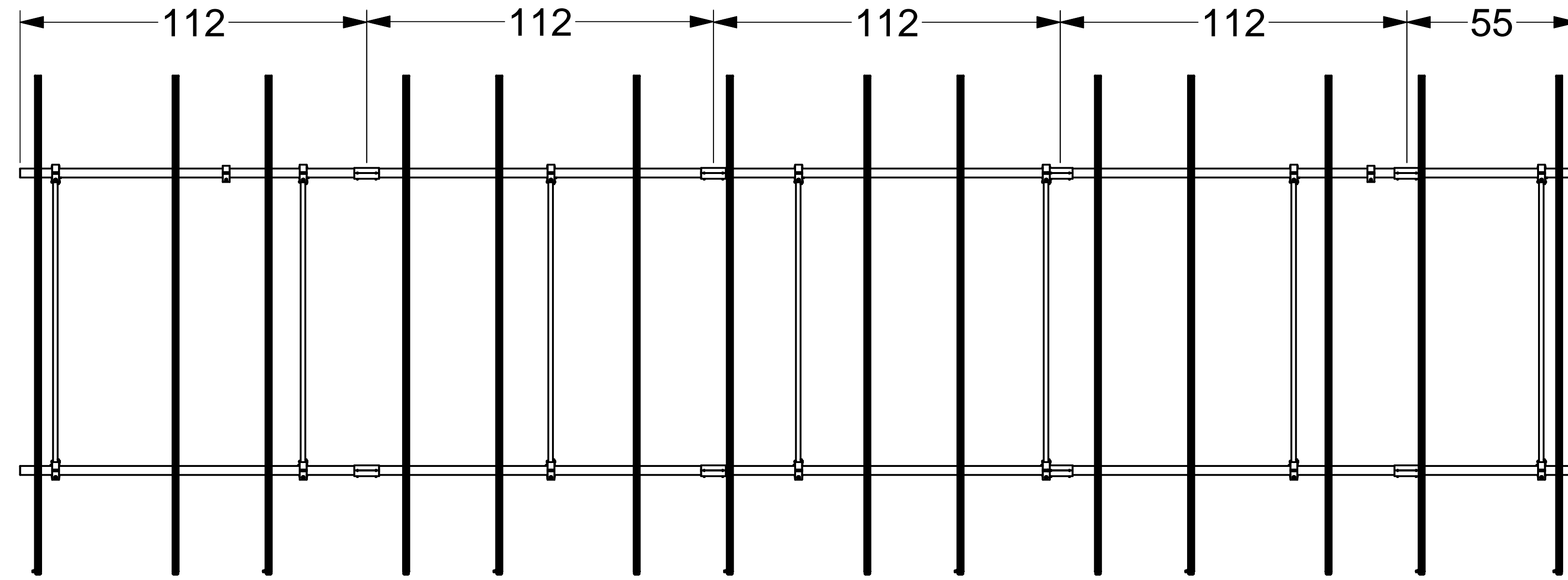
SunModo Corp.
 14800 NE 65TH STREET, VANCOUVER WA 98682

TITLE: GOODENOUGH
 DRAWING NUMBER: 202662.GOO.0

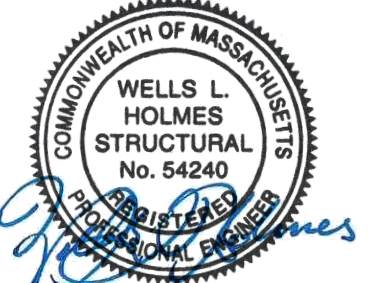
SCALE: 1/30 SHEET 1 of 3

THIS DRAWING IS CONFIDENTIAL PROPERTY OF SUNMODO AND ITS CONTENTS MAY NOT BE DISCLOSED WITHOUT THE PRIOR WRITTEN CONSENT OF SUNMODO CORP.

NOTE:
 1. DIMENSIONS LABELED AS MAX ARE MAXIMUM ALLOWABLE AND MAY RESULT IN END POSTS BEING OUTSIDE ARRAY EDGES. MAXIMUM DIMENSIONS MAY BE REDUCED IF DESIRED.

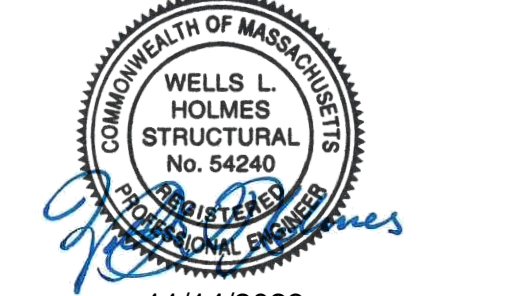
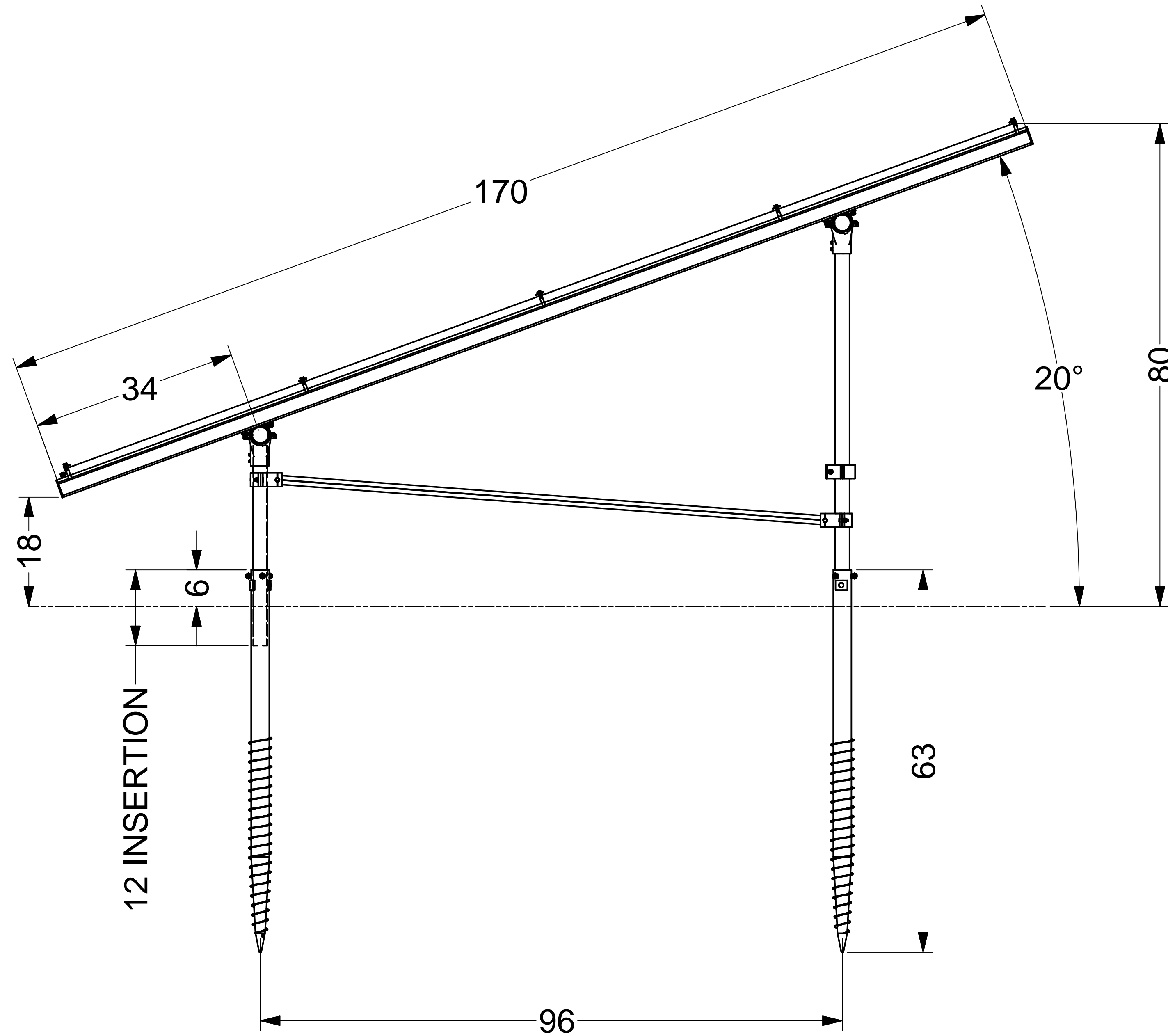


851 W. GALENA PARK BLVD. STE. 101 PHONE (801) 990-7775
 DRAPER, UTAH 84020 WWW.VECTORENG.COM



11/14/2023
 VSE Project Number: U6058.0002.231

SunModo Corp.			
TITLE: GOODENOUGH			
DRAWING NUMBER: 202662.GOO.0			
SCALE: 1/30	SHEET 2 of 3	REV	



11/14/2023
 VSE Project Number: U6058.0002.231

SunModo Corp.			
TITLE GOODENOUGH			
DRAWING NUMBER 202662.GOO.0			
SCALE: 1/13	SHEET 3 of 3	REV	