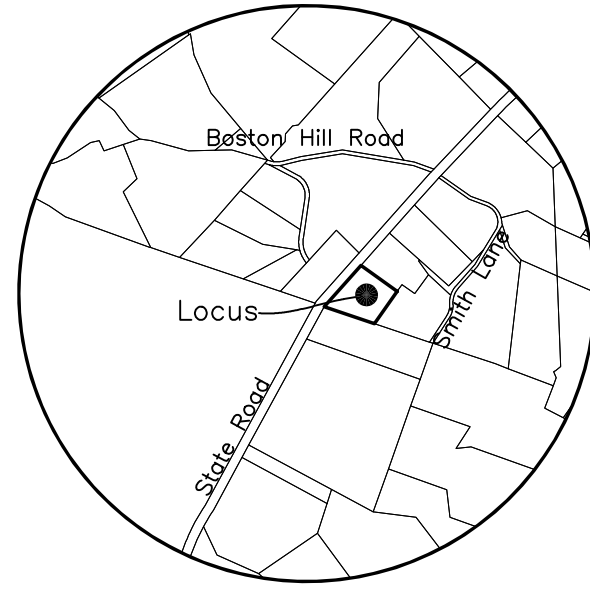
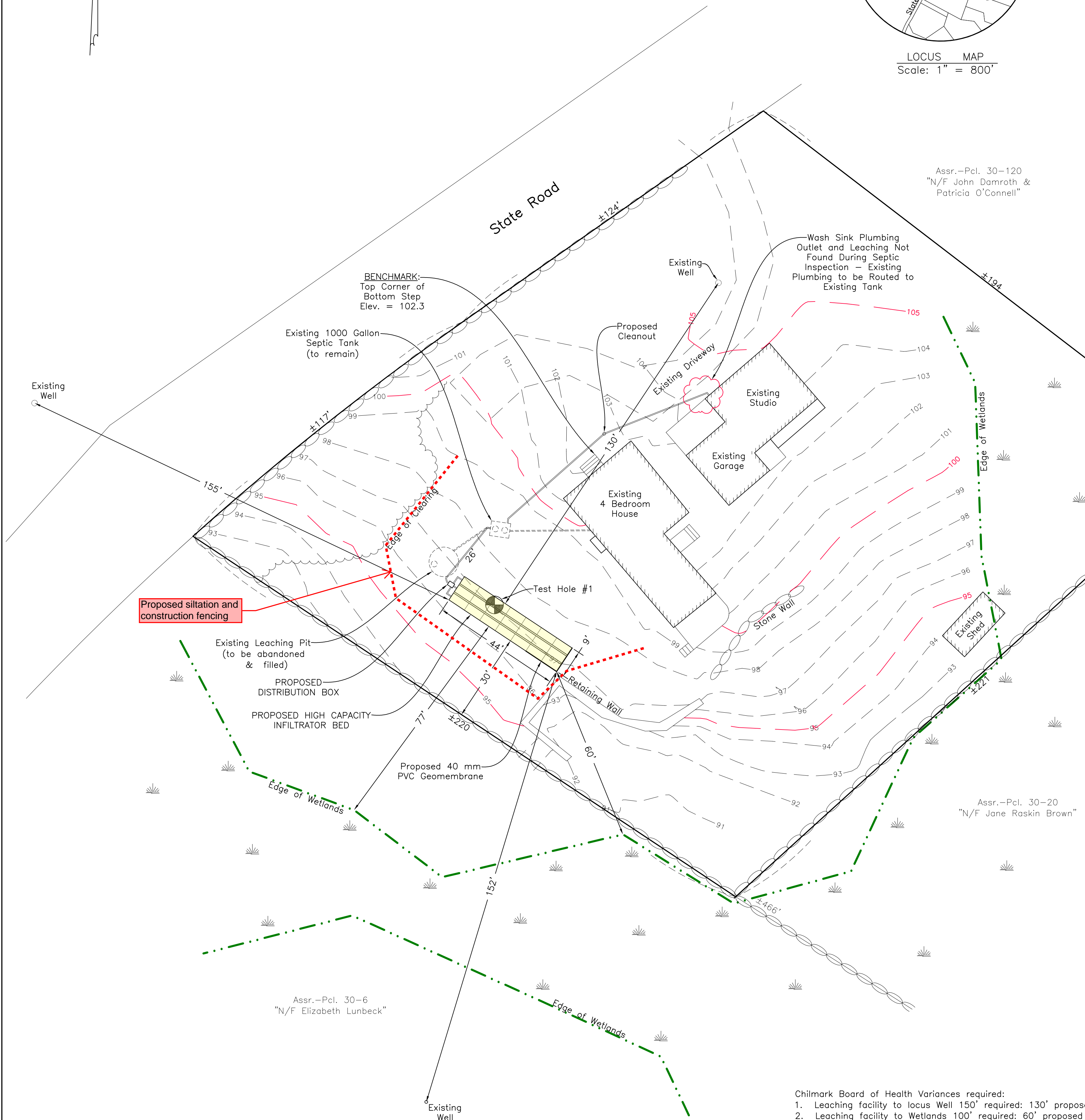


# Plan

Scale: 1 in. = 20 ft.  
Datum: ±U.S.G.S.



LOCUS MAP  
Scale: 1" = 800'



Assr.-Pcl. 30-120  
"N/F John Damroth & Patricia O'Connell"

Assr.-Pcl. 30-20  
"N/F Jane Raskin Brown"

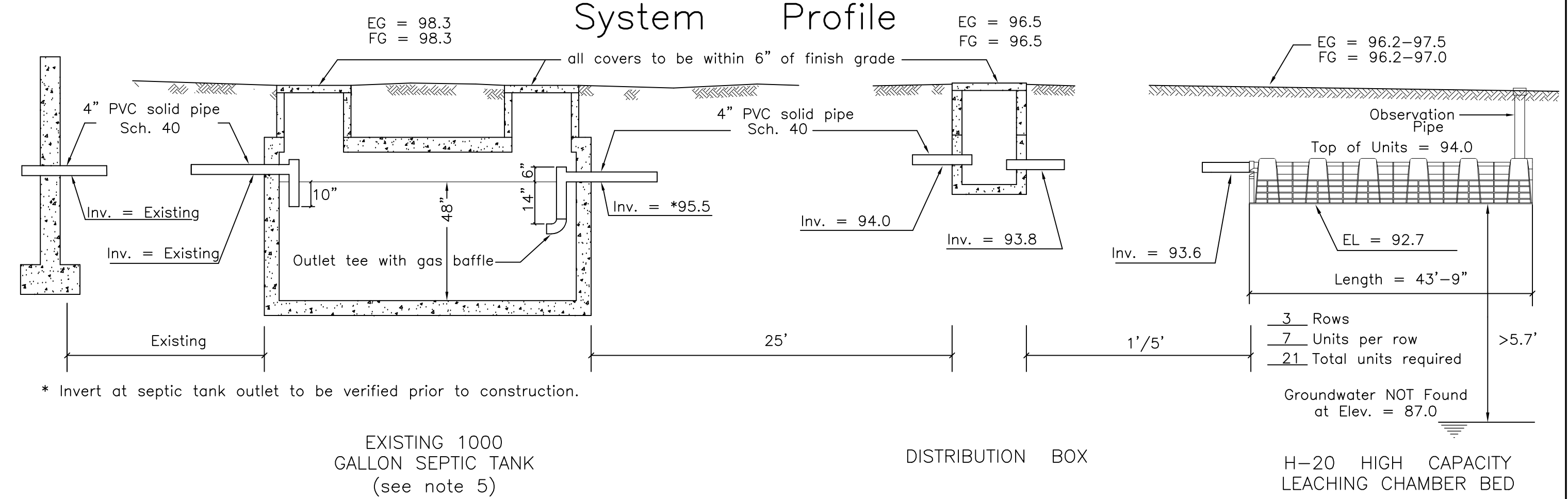
Assr.-Pcl. 30-6  
"N/F Elizabeth Lunbeck"

Chilmark Board of Health Variances required:  
1. Leaching facility to locus Well 150' required: 130' proposed  
2. Leaching facility to Wetlands 100' required: 60' proposed

### LEGEND

- ..... PROPOSED CONTOUR
- ..... EXISTING CONTOUR
- +100.7 ..... EXISTING SPOT ELEVATION
- W — ..... WATER SERVICE LINE
- ..... TEST HOLE LOCATION

# System Profile



\* Invert at septic tank outlet to be verified prior to construction.

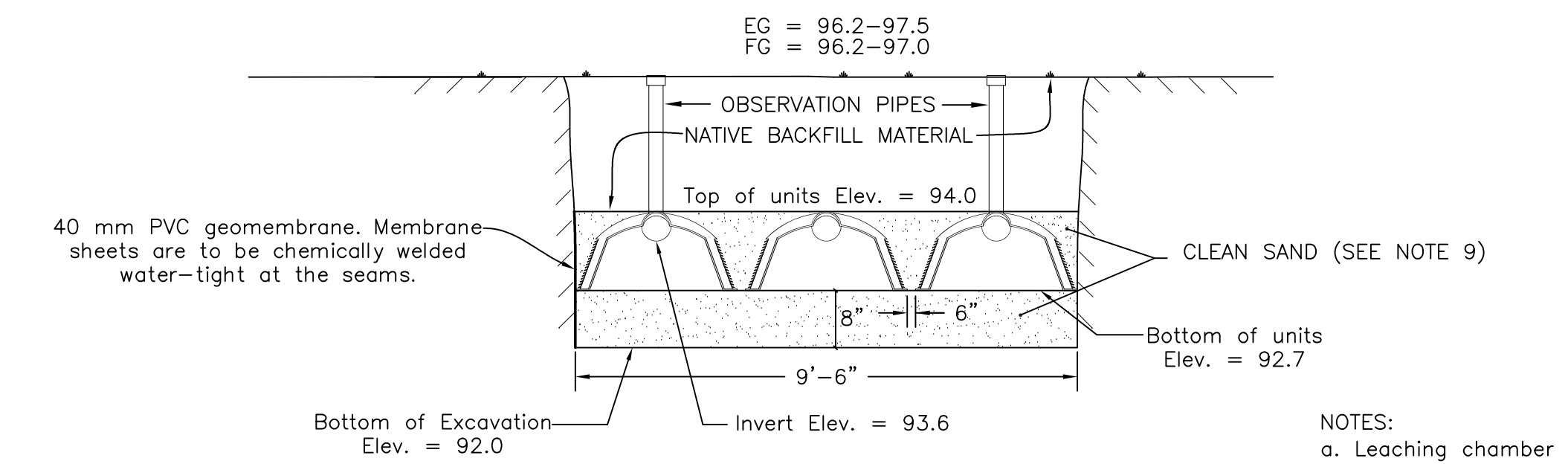
EXISTING 1000 GALLON SEPTIC TANK (see note 5)

DISTRIBUTION BOX

H-20 HIGH CAPACITY LEACHING CHAMBER BED

# System Cross Section

NOTE: Not to scale



To avoid compaction, no machinery is allowed within three vertical feet of bottom of excavation without the specific approval of the design engineer. This leaching facility is not designed for H-20 loads and shall not be driven upon, even though H-20 leaching chambers are specified.

NOTES:  
a. Leaching chamber rows shall be spaced 6" apart.  
b. Bottom of excavation shall extend into the "C" soil horizon at least 6"

## Notes

1. This plan is to be used only for the approval and installation of a sewage disposal system and is not to be used for any other purpose.
2. All construction and components shall conform to Massachusetts State Environmental Code TITLE V and Local Board of Health Requirements.
3. This design does not warrant the location of underground pipes, wires, utilities or other underground structures. The installer shall be responsible for locating and relocating these objects as necessary.
4. No garbage grinder is allowed with this system.
5. Any portion of this system subject to vehicular traffic shall be capable of H-20 loading.
6. An observation pipe shall be placed as shown and capped at grade so as to allow monitoring of liquid level in the leaching system. Place re-rod flush at each to aid in relocating with metal detector.
7. All access covers are to weigh at least 150 lbs. or screwed down.
8. Leaching Chambers shall consist of Infiltrator high capacity, ADS high capacity biodiffuser or an approved equivalent.
9. Any clean sand fill required by this design is to have less than 4% passing the No. 100 sieve.
10. No wells could be found within 150' of the proposed leaching facility unless otherwise shown.
11. The engineer (AND the local approving authority) is to inspect and approve the installation and placement of all septic components before final backfilling.
12. A letter certifying satisfactory construction of this system is to be provided to the owner and the Board of Health by the Engineer.

## Design Criteria

Design Hydraulic Loading:  
4 Bedrooms x 110 GPD/Bedroom = 440 GPD

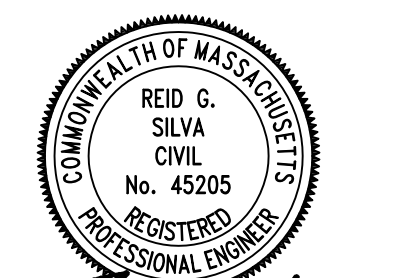
Septic tank capacity:  
Required: 440 GPD x 200% = 880 Gal. minimum  
Septic tank provided = 1000 Gal. (Existing)

Leaching Capacity Provided:  
H-20 High Capacity Leaching Chamber Bed  
21 Leaching Chamber Units  
21 Units x 6.25 linear ft./unit x 4.72 sq.ft./linear ft. = 619 sq.ft.  
619 sq.ft. x 0.74 GPD/sq.ft. = 458 GPD

\* Per modified certification for general use High capacity leaching chamber units are allowed 4.7 sq.ft. leaching area per lineal ft. in bed configuration.

## Proposed Septic System UPGRADE on Land in CHILMARK, MASS.

Designed for: HEATHER SOMMERS  
Street Address: #76 STATE ROAD  
Assessor No.: 30-21  
Lot Area: ±1.0 Acres  
Designed By: Michael Tomkins  
Checked By: R.G.S.  
Date: March 13, 2024  
Revised:



03/18/2024

Soil evaluator: Reid G. Silva, P.E. SOIL DATA  
Witnessed By: Anna McCaffrey

Deep Observation Hole 1.  
Date: March 8, 2024  
Surface elevation = 97.0

Depth	Horizon	Texture
0"-10"	A	Sandy loam
10"-44"	B	Loamy sand w/ boulders
44"-120"	C	Loamy F/C sand

Perc. rate < 5 mpi. @ 44"  
No groundwater found at Elev. = 87.0

**VINEYARD LAND SURVEYING & ENGINEERING**  
12 Cournoyer Road  
P.O. Box 421  
West Tisbury, MA 02575  
P 508-693-3774 F 508-629-0440  
VLSE.net