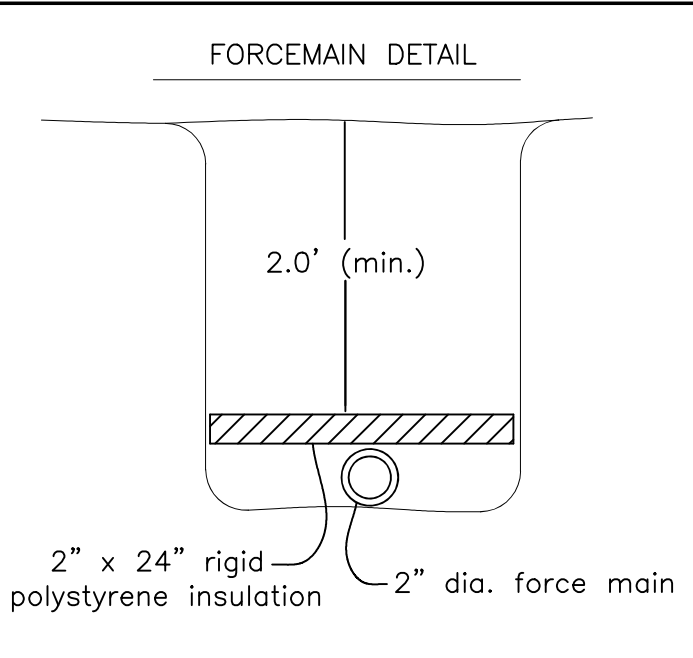


- PUMP NOTES
1. An alarm system shall be installed on a separate electrical circuit.
 2. The pump shall be capable of pumping 10 gallons per minute at a head of 50 feet.
 3. The pump shall be installed directly below the access opening and connected with unions so as to be easily removed without emptying the tank.
 4. A spare pump shall be stored on the premises.
 5. The force main shall be insulated as shown or buried a minimum of 4 ft. below grade.



Design Hydraulic Loading:
 3 Bedrooms x 110 GPD/Bedroom = 330 GPD (Main House)
 1 Bedrooms x 110 GPD/Bedroom = 110 GPD (Guest House)
 1 Bedrooms x 110 GPD/Bedroom = 110 GPD (Detached Bedroom)
 Total = 550 GPD

Septic tank capacity:
 Required: 550 GPD x 200% = 1100 Gal. minimum
 Septic tank provided = 1000 Gal. (Existing Guest House)
 Septic tank provided = 1000 Gal. (Existing Main House)

Leaching Capacity Provided = 914 GPD

Leaching Capacity Limited by Total Pipe Length = 280 ft. (616 GPD)

July 29, 2021

Site Plan in
 Chilmark, Mass.
 prepared for
Lenom House LLC
 Scale 1" = 30' July 15, 2021

**VINEYARD
 LAND SURVEYING
 & ENGINEERING**

12 Cournoyer Road
 P.O. Box 421
 West Tibbony, MA 02575
 P 508-693-3774 F 508-629-0440
 VLSE.net