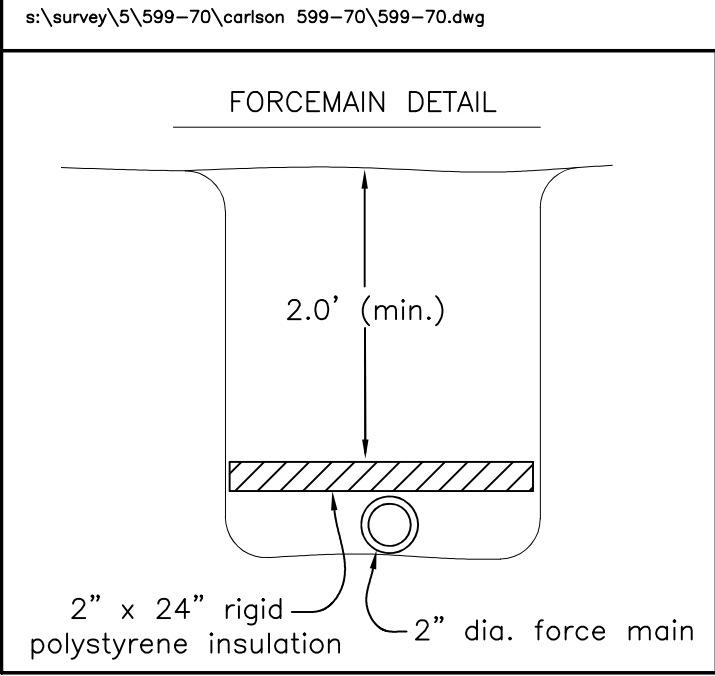


- NOTES:
1. This plan is for purpose of sewage tie-in of a proposed structure to the existing septic system on the lot.
 2. This design does not warrant the location of underground pipes, wires, utilities or other underground structures. The installer shall be responsible for locating and relocating these objects as necessary.
 3. All septic system construction shall conform to Title 5 requirements.



- #### PUMP NOTES
1. An alarm system shall be installed on a separate electrical circuit.
 2. The pump shall be capable of pumping 10 gallons per minute at a head of 50 feet.
 3. The pump shall be installed directly below the access opening and connected with unions so as to be easily removed without emptying the tank.
 4. The force main shall be insulated as shown or buried a minimum of 4 ft. below grade.

Septic Tie-In Plan
in Chilmark, Mass.
Prepared for
Fred Khedouri
January 17, 2023 Scale: 1"=20'

VINEYARD
LAND SURVEYING
& ENGINEERING, INC.

12 Cournoyer Road
P.O. Box 421
West Tisbury, MA 02575
P 508-693-3774 F 508-629-0440
VLSE.net

JOB NO. 599-70