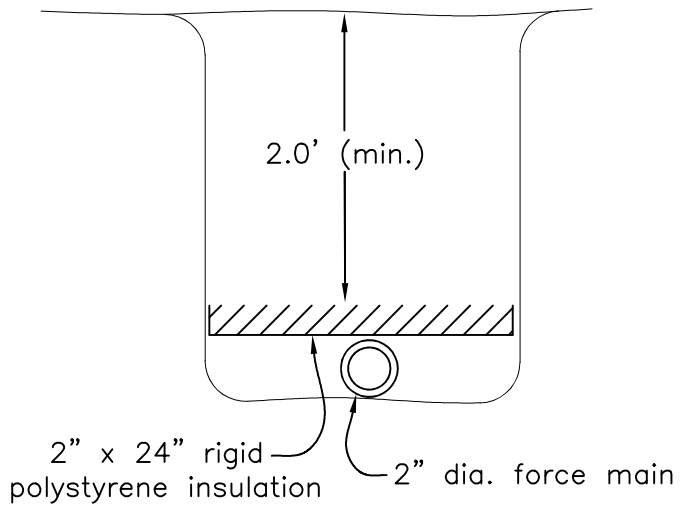


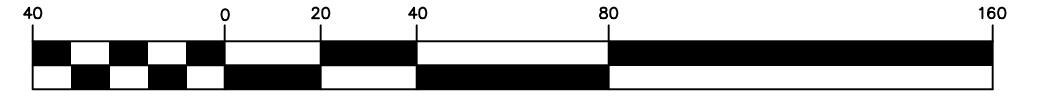
FORCEMAIN DETAIL



CONTRACTOR NOTES:

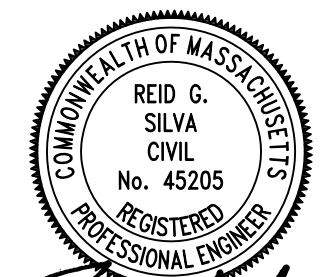
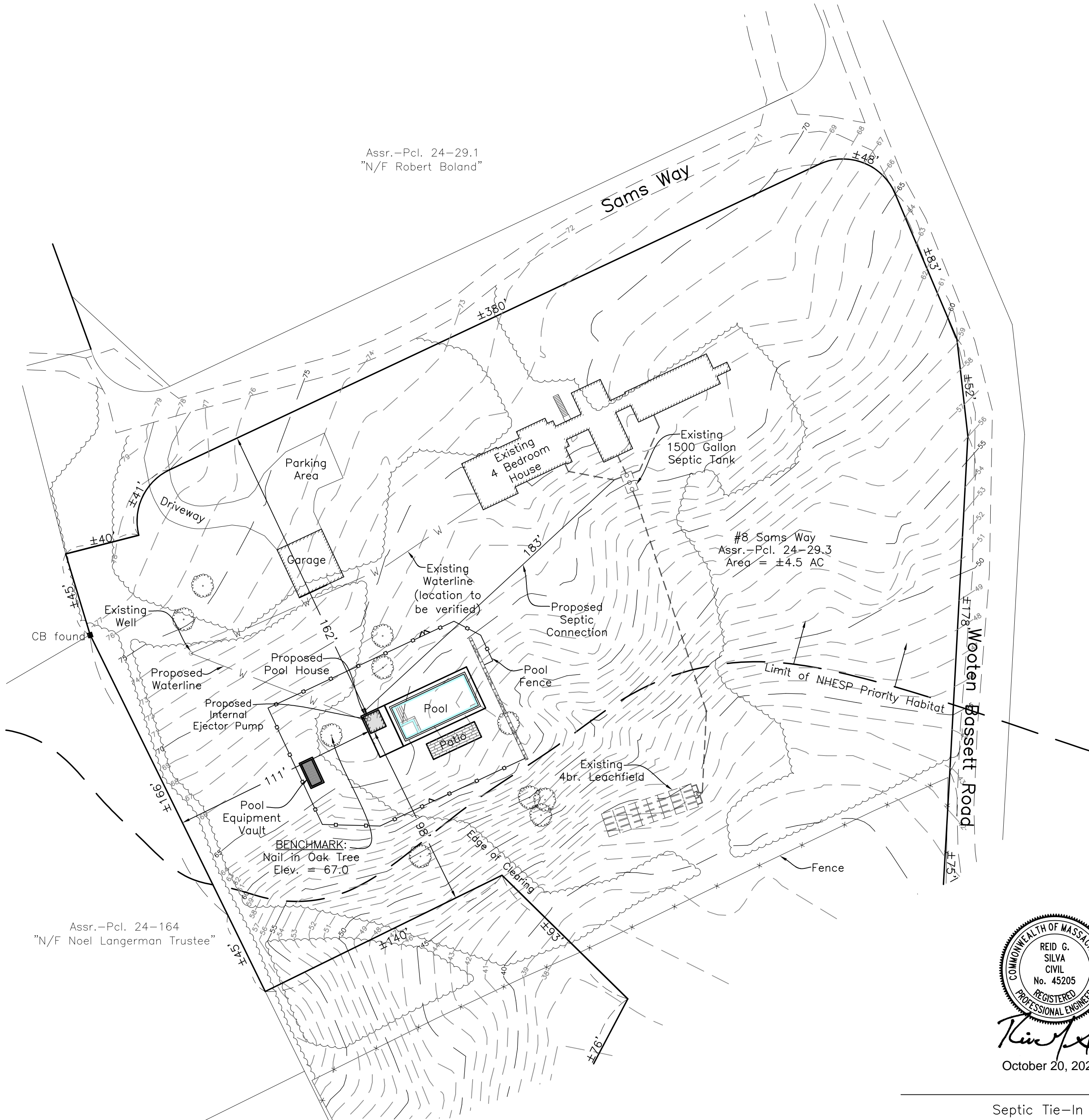
1. The force main shall be buried to a depth of 4 ft. or insulated in accordance with the force main detail.
2. This design does not warrant the location of underground pipes, wires, utilities or other underground structures. The installer shall be responsible for locating and relocating these objects as necessary.

GRAPHIC SCALE



(IN FEET)
1 inch = 40 ft.

DATUM = U.S.G.S.



Reid G. Silva
October 20, 2022

Septic Tie-In Plan
in Chilmark, Mass.
Prepared for
Travis Lenkner

October 20, 2022 Scale: 1"=40'

VINEYARD
LAND SURVEYING
& ENGINEERING

12 Cournoyer Road
P.O. Box 421
West Tisbury, MA 02575
P 508-693-3774 F 508-629-0440
VLSE.net