



# 0 State Road (33-146)

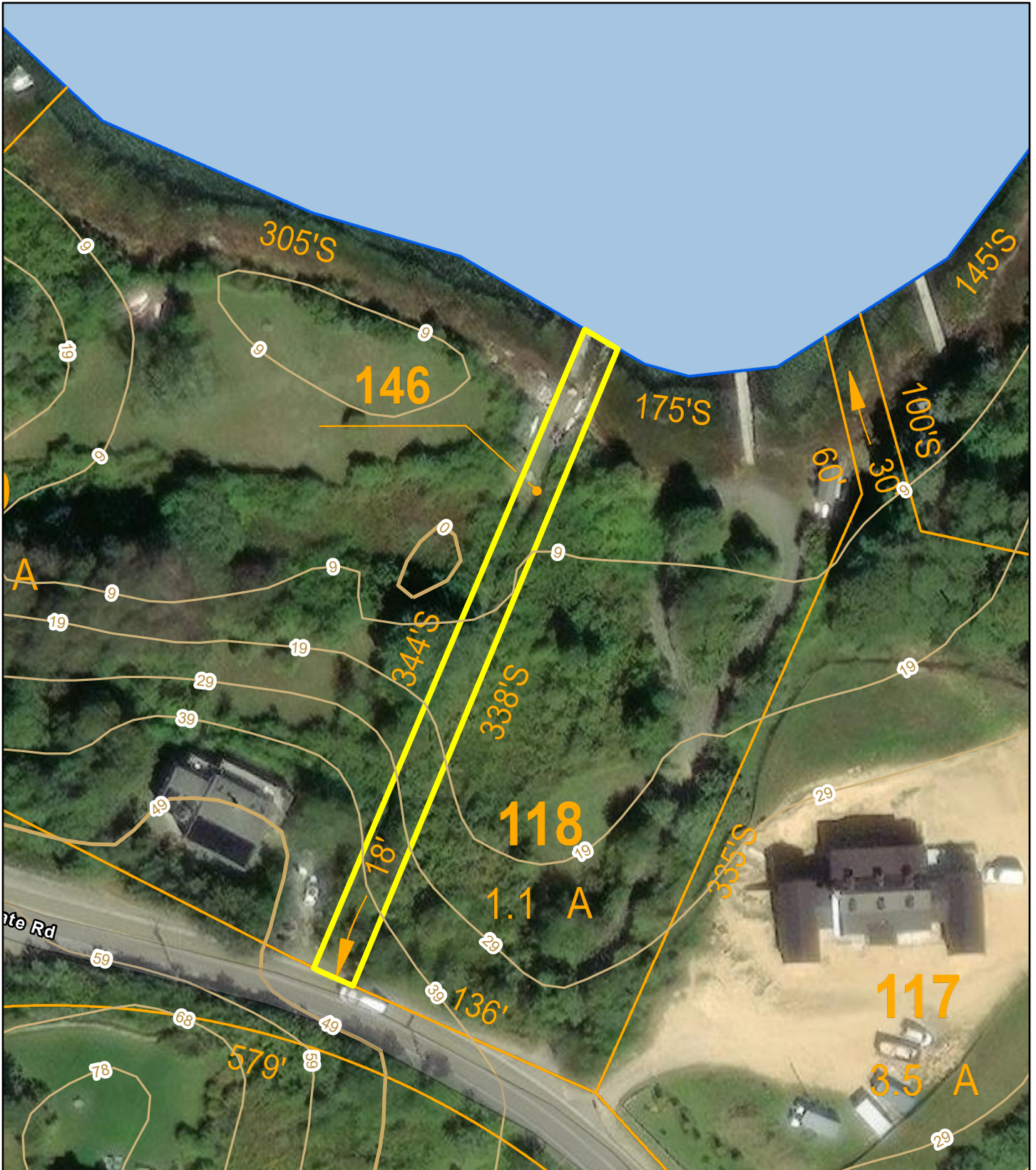
Town of Chilmark, MA

1 inch = 71 Feet



www.cai-tech.com

April 3, 2024

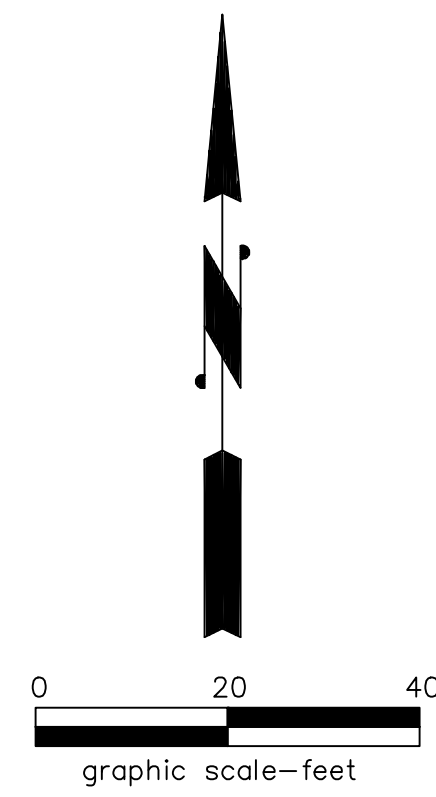


Data shown on this map is provided for planning and informational purposes only. The municipality and CAI Technologies are not responsible for any use for other purposes or misuse or misrepresentation of this map.

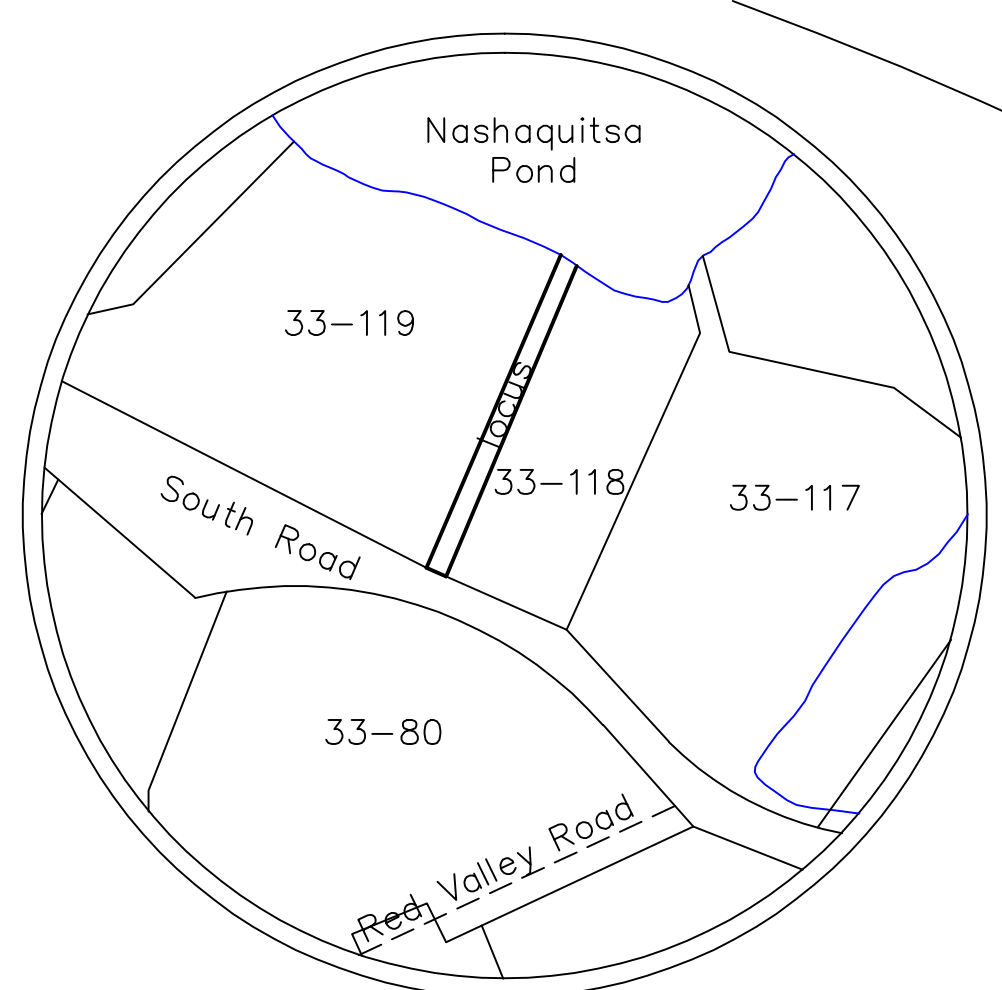
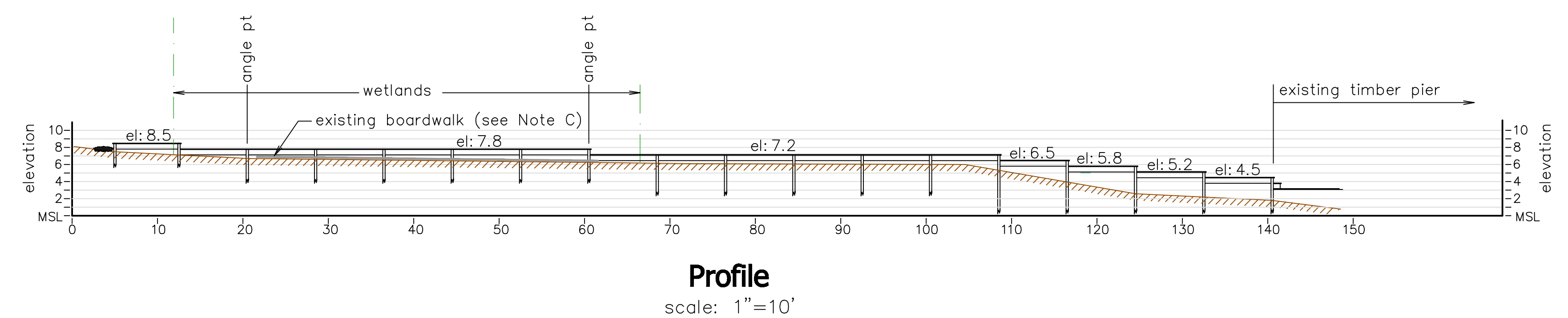
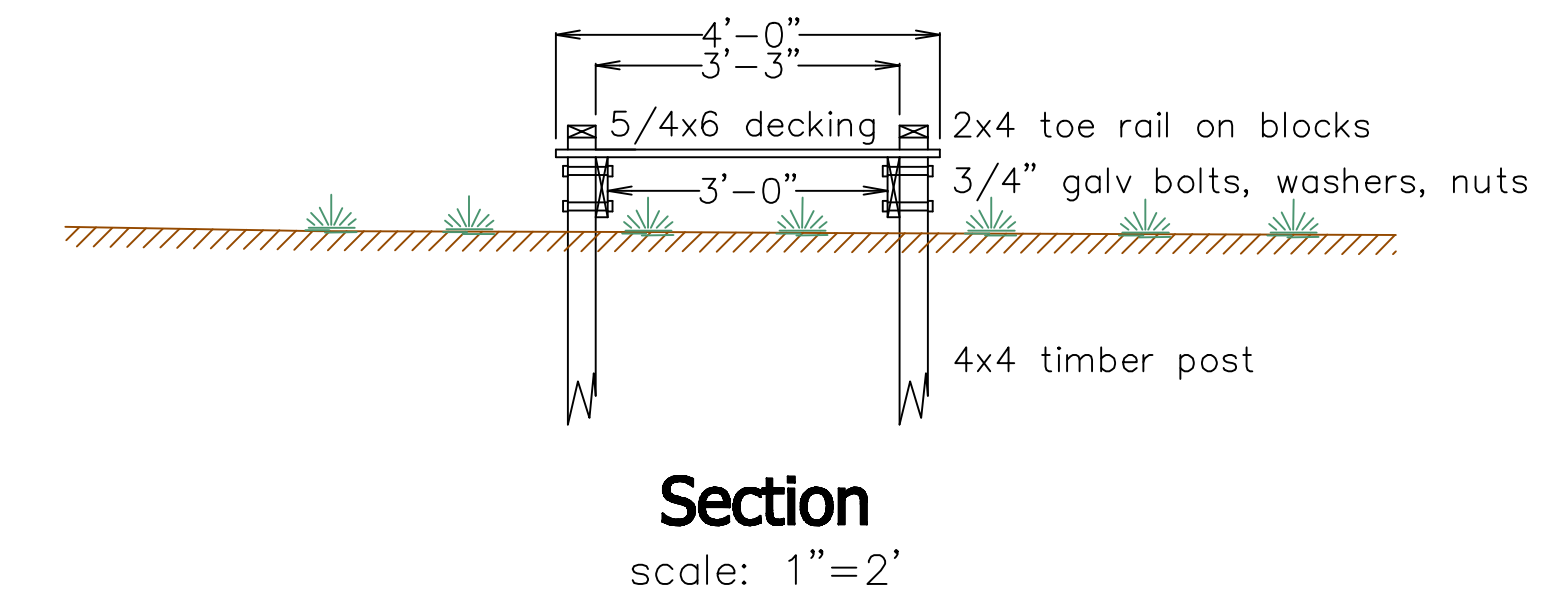
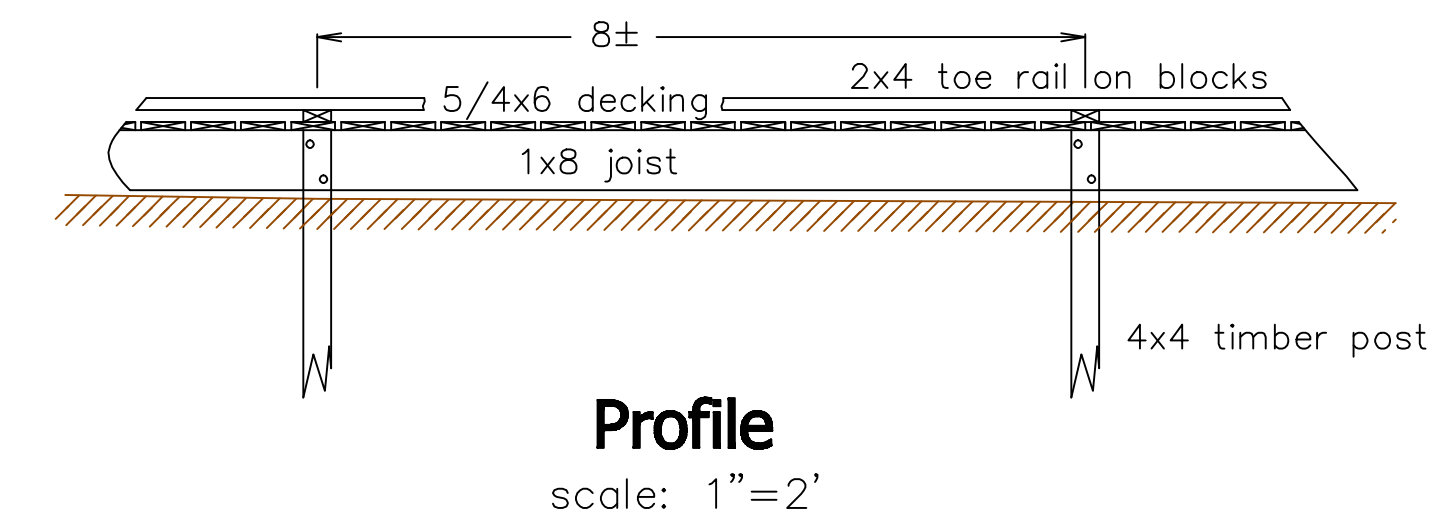
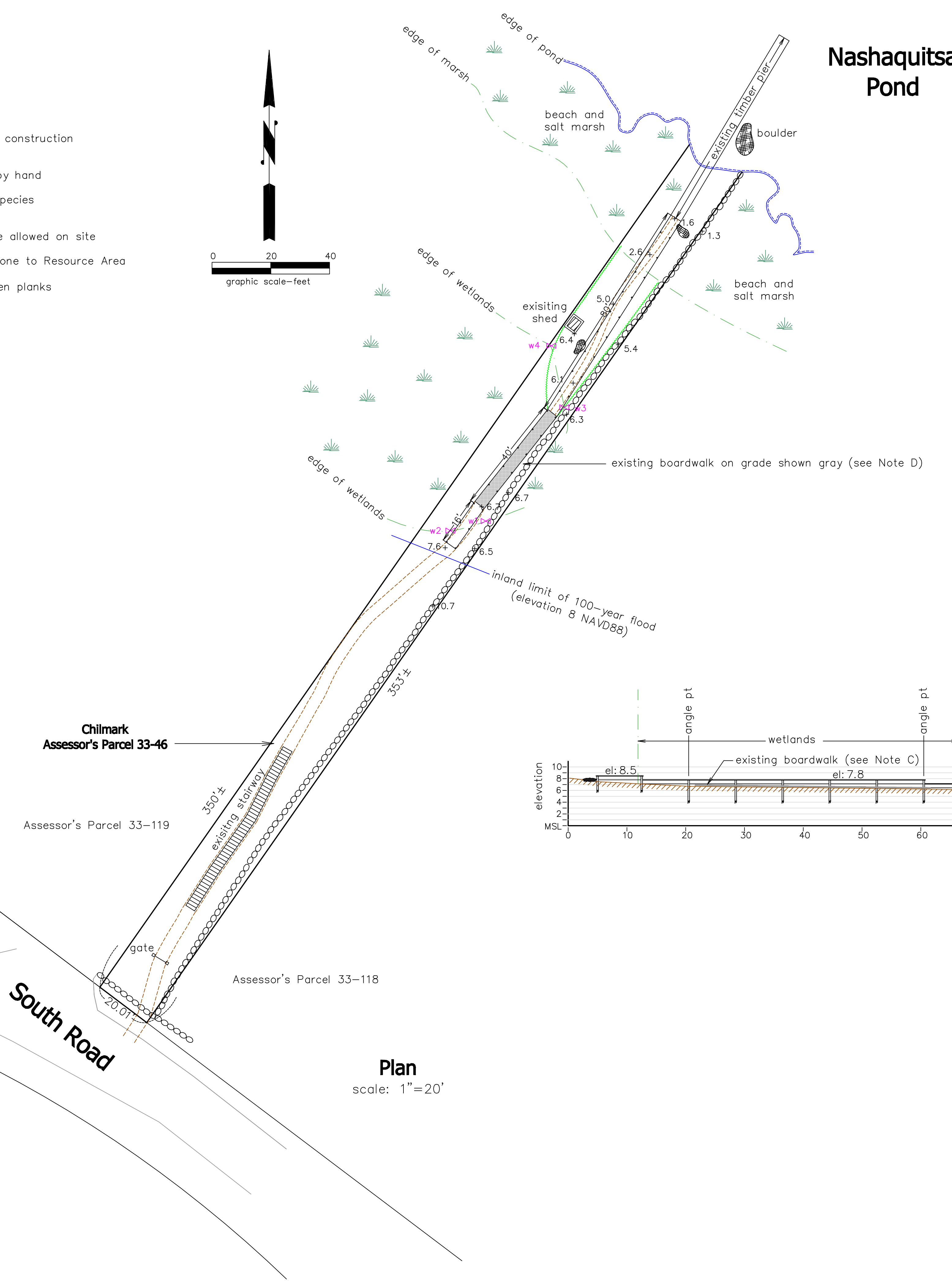


**Notes:**

- A. Elevations refer to NAVD88
- B. The 100-year flood elevation at locus is 8' NAVD88
- C. Underground electrical conduit to be located at start of construction and protected from disturbance
- D. Existing timber walkway to be dismantled and removed by hand
- E. All timber to be mahogany, ipe, or other rot resistant species no pressure treated lumber to be used
- F. Timber posts to be hand set; no heavy equipment to be allowed on site
- G. All proposed work falls within Resource Area or Buffer Zone to Resource Area
- H. Deck to be constructed with minimum 1" spacing between planks



# Nashaquitsa Pond



**Plan**  
scale: 1"=20'

**Timber Boardwalk Site Plan**  
**Chilmark, Massachusetts**  
 Prepared For  
**Chesapeake Realty Trust**  
 Scale: As Noted      March 17, 2024  
**Schofield, Barbini & Hoehn Inc.**  
 Land Surveying & Civil Engineering  
 12 Surveyor's Lane, Box 339  
 Vineyard Haven, Mass.  
 508-693-2781  
 www.sbhinc.net  
 MV 6294